

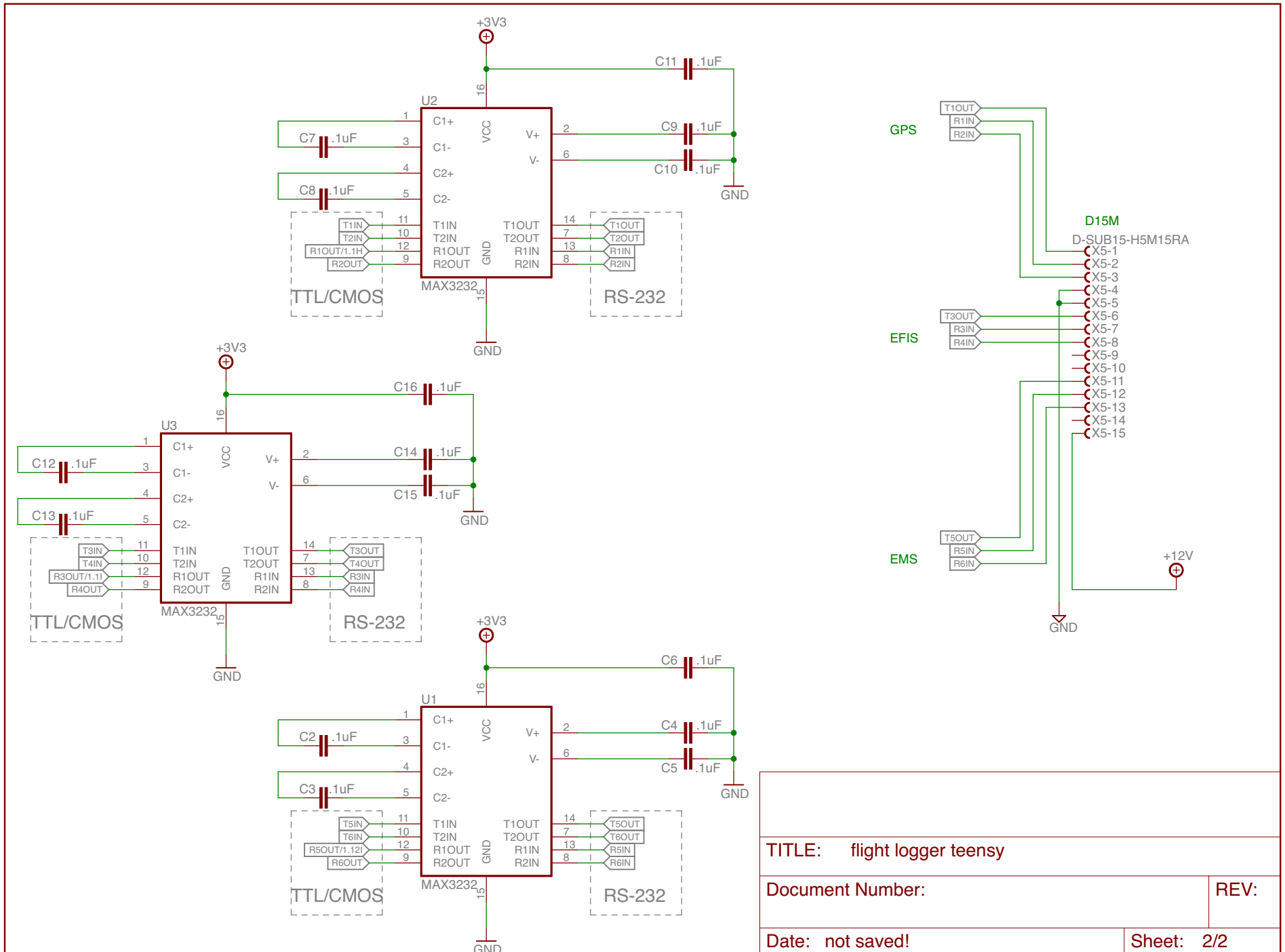
TITLE: flight logger teensy

Document Number:

REV:

Date: not saved!

Sheet: 1/2



TITLE: flight logger teensy	
Document Number:	REV:
Date: not saved!	Sheet: 2/2